



Roxtec Conduit Seal™ 1" and 2"

– CABLE ENTRY SEALS FOR CONDUITS AND HYBRID CABLES

Quick installation

The Roxtec Conduit Seal™ is a light-weight cable entry solution developed for the telecom industry and the increasing use of fiber. It is quick and easy to install, and it allows the use of pre-terminated cables for site equipment to cabinets as well as at the top of towers.

Certified protection

The product is made to seal the conduit in one end and the fiber bundle in the other. It provides excellent water-tightness eliminating the frequent risk

of damages to the system because of humidity or ice. The solution is also perfect for sealing various hybrid cables.

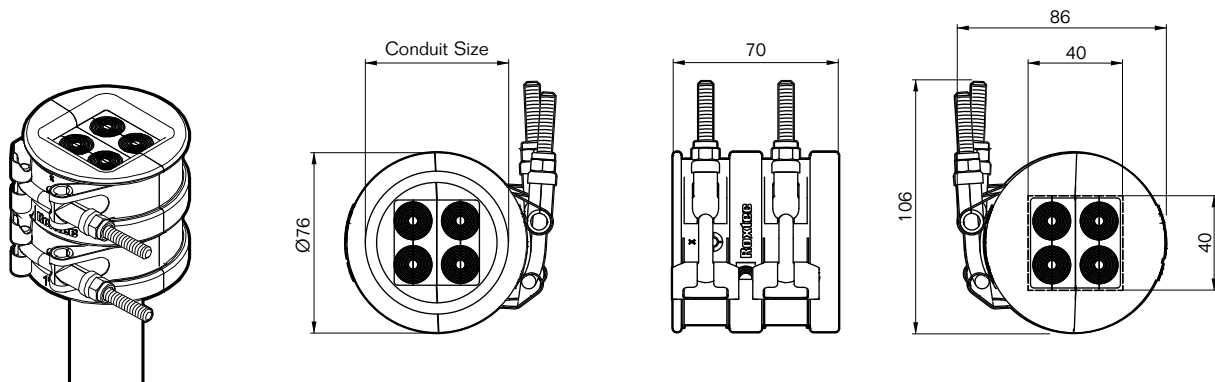
Supplied as ready-made kit

The Roxtec Conduit Seal™ is supplied as a kit, including two stainless steel clamps and Roxtec sealing modules which are adaptable to cables of different sizes. This feature simplifies everything from design and planning through to purchasing, installation and logistics.

BENEFITS

- Easy to use
- Light-weight
- Approved for IP 55
- UL/NEMA 3 approved
- Multidiameter™ by Roxtec – adapts through modules with removable layers

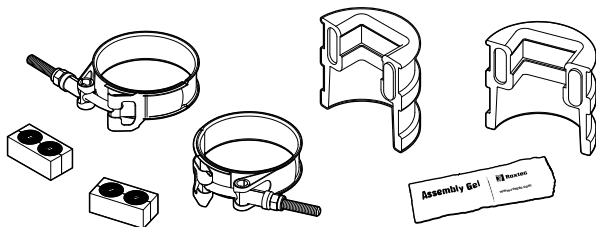
Roxtec Conduit Seal™ 1" and 2"



Kit	Multidiameter™ range and number of cables			Weight (kg) (lb)		Conduit Size		Art No.
	0+3.5-10.5 mm 0+0.138-0.413" (GM 13.3w40)	0+3.5-16.5 mm 0+0.138-0.650" (GM 20w40)	0+9.5-32.5 mm 0+0.374-1.280" (GM 40 10-32)			NPS	DN	
Conduit Seal 1"/1			1 cable	0.519	1.14	1"	25	102617
Conduit Seal 1"/4		4 cables		0.519	1.14	1"	25	102618
Conduit Seal 1"/9	9 cables			0.519	1.14	1"	25	102619
Conduit Seal 2"/1			1 cable	0.411	0.91	2"	50	102620
Conduit Seal 2"/4		4 cables		0.411	0.91	2"	50	102621
Conduit Seal 2"/9	9 cables			0.411	0.91	2"	50	102622

Each Roxtec Conduit Seal™ kit consists of:

- Roxtec Conduit Seal™ frame
- Roxtec GM modules
- Two clamps
- Assembly gel bag 10 ml



Roxtec International AB
 Box 540, 371 23 Karlskrona, SWEDEN
 PHONE +46 455 36 67 00, FAX +46 455 820 12
 EMAIL info@roxtec.com, www.roxtec.com